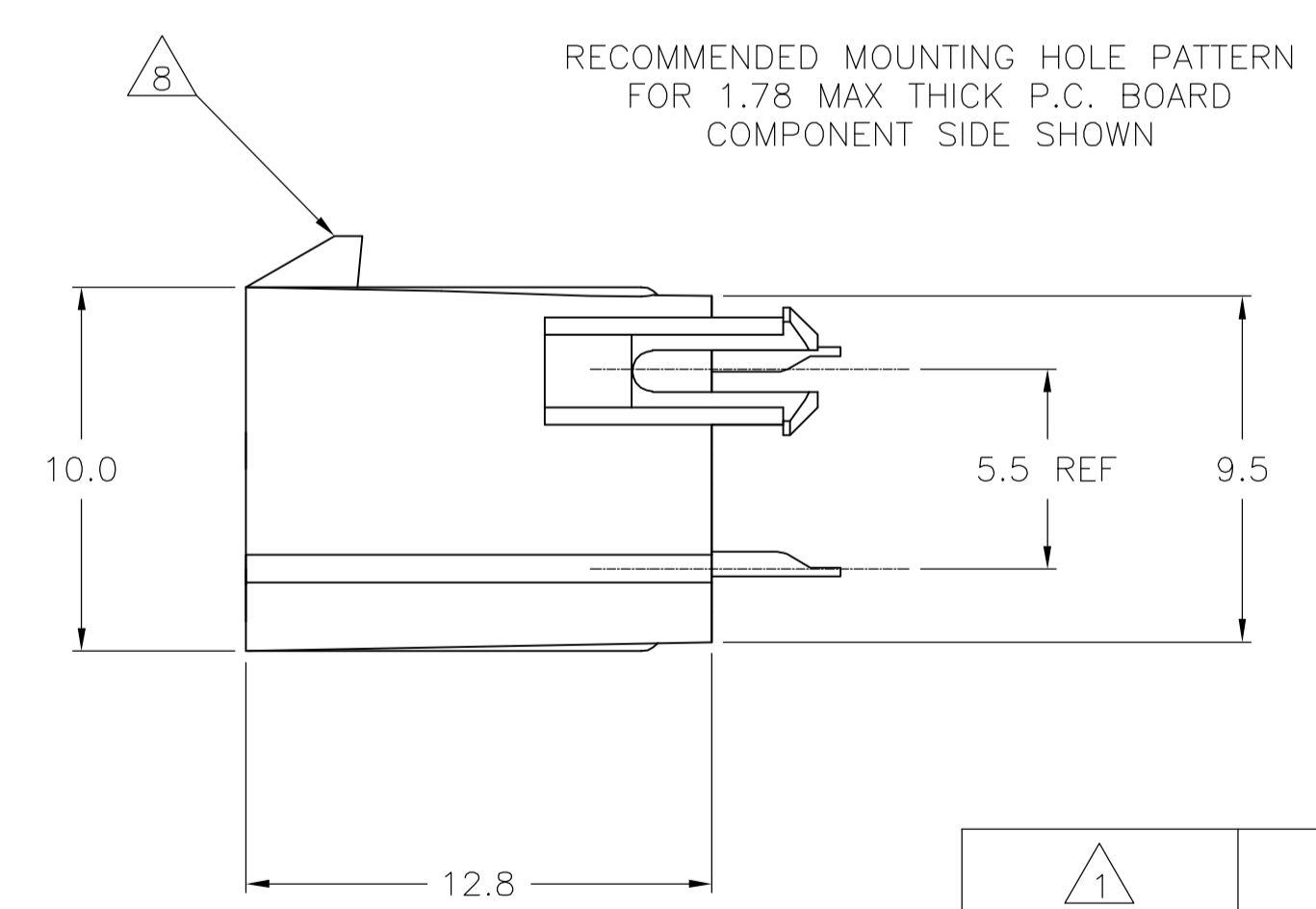
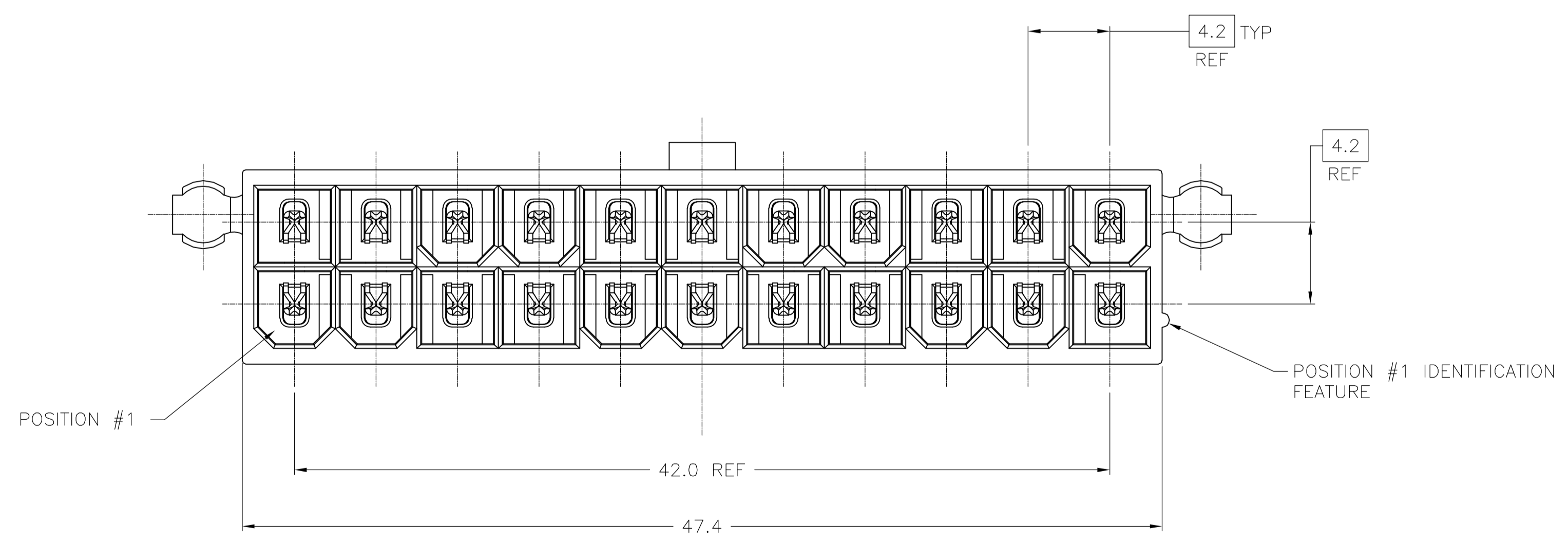
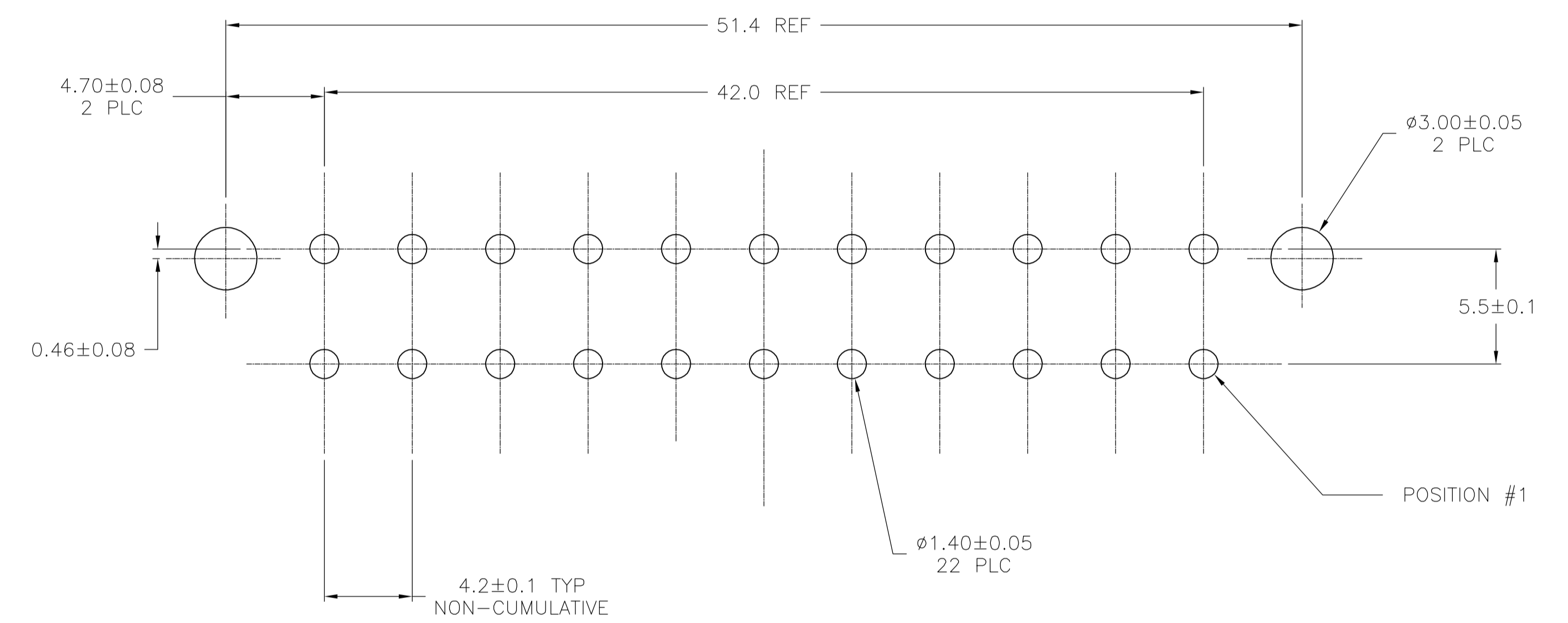
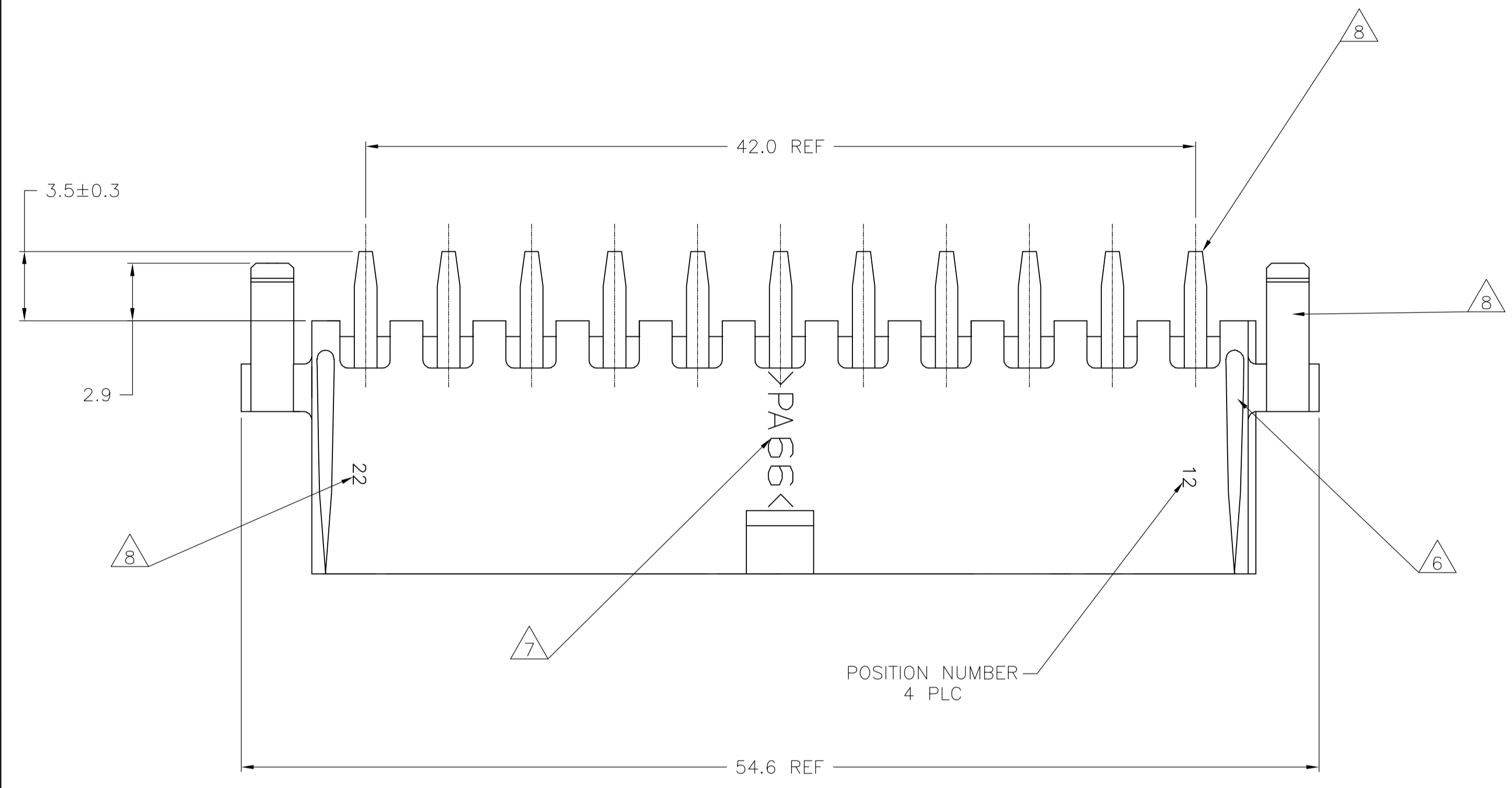


- 1 MATERIAL:
HOUSING: NYLON, UL94V-2 (COLOR - NATURAL, COLOR OF PARTS MAY VARY).
CONTACTS: 0.25 THK COPPER ALLOY.
- 2 CONTACT FINISH: 0.003 MIN THK TIN-LEAD OVER 0.00127 MIN THK NICKEL OVER ENTIRE CONTACT.
- 3 CONTACT FINISH: 0.00076 MIN THK GOLD PLATE ON PIN MATING SURFACE, 0.003 MIN THK TIN-LEAD PLATE ON SOLDER TAIL, ALL OVER 0.00127 MIN THK NICKEL BASE PLATE.
- 4. SOLDER TAIL MEETS AMP SOLDERABILITY SPECIFICATION 109-11-2.
- 5. MATES WITH SIMILARLY PLATED AMP-DUAC™ POWER CONNECTOR RECEPTACLE HOUSINGS/SOCKET CONTACTS.
- 6 RIBS ON FOUR CORNERS OPTIONAL.
- 7 AMP LOGO AND MATERIAL ID MAY BE LOCATED ON EITHER LONG SIDE OF PART.
- 8 SIZE, SHAPE OR STYLE OF THIS FEATURE MAY VARY.
- 9 CONTACT FINISH: 0.003 MIN THK TIN OVER 0.00127 MIN THK NICKEL OVER ENTIRE CONTACT.
- 10 CONTACT FINISH: 0.00076 MIN THK GOLD PLATE ON PIN MATING SURFACE, 0.003 MIN THK TIN PLATE ON SOLDER TAIL, ALL OVER 0.00127 MIN THK NICKEL BASE PLATE.



SUPERCEDED BY 1-794312-2
 SUPERCEDED BY 1-794312-1

1	10	1	1	1-794312-2
1	9	1	1	1-794312-1
1	3	1	1	794312-2
1	2	1	1	794312-1
MATERIAL	FINISH	MATERIAL	COLOR	PART NO

THIS DRAWING IS A CONTROLLED DOCUMENT.		DIN R VESTAL 25SEP97	tyco Tyco Electronics Corporation	
DIMENSIONS: mm		CHK R SWING 25SEP97	Harrisburg, PA 17105-3608	
TOLERANCES UNLESS OTHERWISE SPECIFIED:		APVD F BEILES 25SEP97	NAME	
0 PLC ± -	1 PLC ± 0.2	PRODUCT SPEC		
2 PLC ± 0.13	3 PLC ± -	108-1699		
4 PLC ± -	ANGLES ± 0.30°	APPLICATION SPEC		
MATERIAL SEE TABLE	FINISH SEE TABLE	SIZE A1	CAGE CODE 00779	DRAWING NO 794312
CUSTOMER DRAWING		WEIGHT -	RESTRICTED TO -	SCALE 5:1
		SHEET 1 OF 1		REV E